

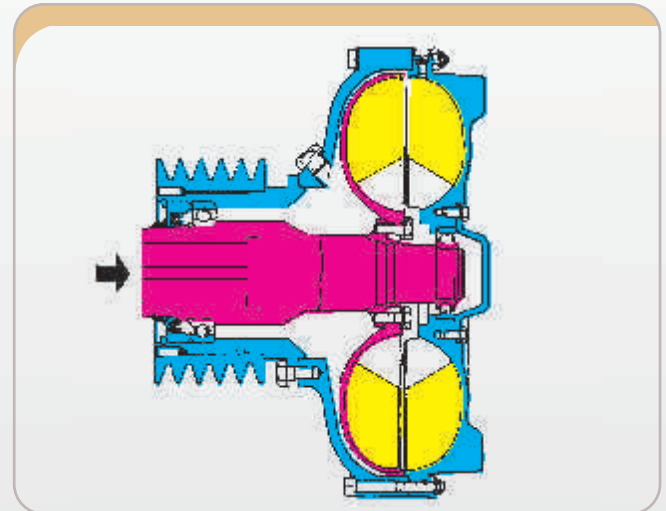


PEMBRIL CONSTANT FILLING FLUID COUPLINGS

Type FP Sizes 8 to 20

Selection Data

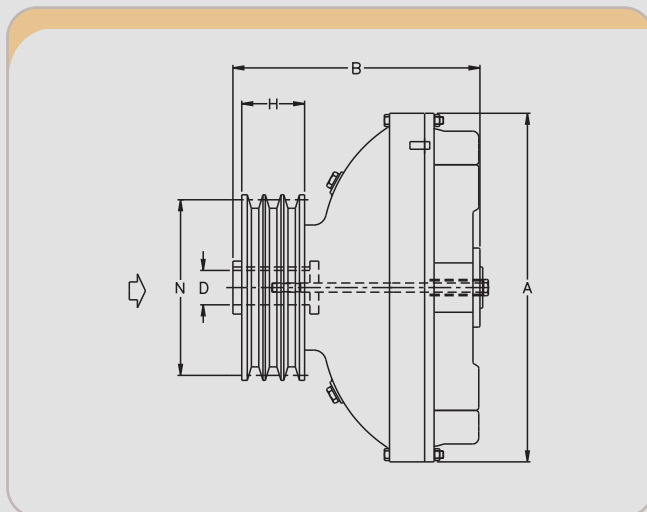
TYPE FP SELECTION TABLE				
Size	Max. operating kW rating at various motor speeds.			
	580	720	960	1450
8	-	0.26	0.62	2.09
9	0.30	0.54	1.27	4.47
10	0.52	1.01	2.39	8.2
11	0.86	1.60	3.80	13.05
12	1.42	2.68	6.34	22.37
14	2.69	5.07	12.30	41.0
16	4.77	8.95	21.63	64.10
17	7.46	14.17	33.56	93.2



The above chart may be used for selecting a FP type fluid coupling. It shows maximum operating power ratings for approved applications with direct-on started squirrel cage motors, and will allow 200% full load torque for starting. Selections may be different from those shown for drives having frequent cyclic duty, very high inertia starting, or diesel engine drives, Such case should be referred to our representative who will prepare specific proposals.

These ratings are also generally suitable for drives employing slip-ring motors; for drives using DC motors consult our representative. Allow for 3% to 5% slip in the fluid coupling - low to high loadings.

Couplings to work at higher powers or speeds than those indicated can be supplied.



Technical Data

Size	A	B	D	H	N	Weight with oil (kgs)	No. of Grooves & Section
8	237	176	30	36	140	11.3	2 - SPA
9	268	192	42	48	165	15.9	2 - SPB
10	308	218	42	67	165	22.7	3 - SPB
11	333	237	48	82	170	31	4 - SPB
12	368	272	60	82	200	44	4 - SPB
14	419	320	60	101	200	59	5 - SPB
16	454	396	80	162	250	92	6 - SPC
17	502	402	80	162	250	108	6 - SPC

Pratisaar/1/05

Premium Energy Transmission Limited

Head Office : P.B. No. 5, Chinchwad, Pune - 411 019, India. Tel. : (91-20) 27475141 / 42 / 43 / 44, Fax : (91-20) 27450287, 27476601.

Branch Offices :

- **Western Region : Mumbai :** Industry Manor, Appasaheb Marathe Marg, Prabhadevi, Mumbai - 400 025. Tel. : (91-22) 24223747, 24365510, Fax : (91-22) 24377730.
- Ahmedabad :** "Jaldarshan", Ashram Road, Navrangpura, Ahmedabad - 380 009. Tel. : (91-79) 26580428/0518/1861, Fax : (91-79) 26587783.
- Nagpur :** "Guman", Pandit Jawaharlal Nehru Marg, Sadar, P.B. No. 129, Nagpur - 440 001. Tel. : (91-712) 2526588, 2524125, 2526038, Fax : (91-712) 2541142.
- **Northern Region : New Delhi :** Express Building Annexe, 9-10, Bahadur Shah Zafar Marg, New Delhi - 110 002. Tel. : (91-11) 23730554 (8 lines), Fax : (91-11) 23359782.
- **Eastern Region : Kolkata :** Thapar House, 25, Brabourne Road, P. B. No. 702, Kolkata - 700 001. Tel. : (91-33) 22423811, 22423780, 22423805, Fax : (91-33) 22424325.
- Ranchi :** Rani Kuthi, 82, Burdwan Compound, P.B. No. 139, Ranchi - 834 001. Tel. : (91-651) 2562651, Fax : (91-651) 2562027.
- **Southern Region : Chennai :** "Wavoo Mansion", 6th Floor, New No. 48, (Old No. 39), Rajaji Salai, Chennai - 600 001. Tel. : (91-44) 25240142, Fax : (91-44) 25224557.
- Bangalore :** 16/3, Ali Asker Road, P. B. No. 216, Bangalore - 560 052. Tel. : (91-80) 22268773/2506, Fax : (91-80) 22253472.
- Hyderabad :** 6-2-47, A. C. Guards, 1st floor, P. B. No. 9, Hyderabad - 500 004. Tel. : (91-40) 23314025, 23390544, 23316446, Fax : (91-40) 23318557.
- Kochi :** 39/5567, M. G. Road, Ernakulam, Kochi - 682 015. Tel. : (91-484) 2359190, 2359372, Telefax : (91-484) 2359589.